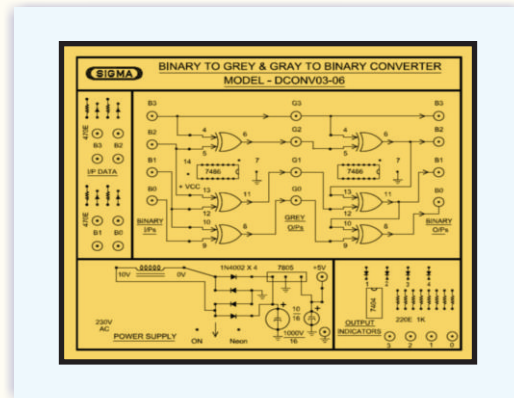




# BINARY TO GRAY AND GRAY TO BINARY CONVERTER MODEL : DCONV03-06

This trainer has been designed with a view to provide practical and experimental knowledge of different types of Code Converters.



## SPECIFICATIONS

1. Power supply requirement : 230V AC, 50 Hz.
2. Built in Power supply : 5 V DC/200 mA (IC based regulated)
3. Following parts provided on Single PCB with connecting terminals.  
Binary to Grey converter IC 7486  
Grey TO binary converter IC 7486
4. Logic output Indicators : 4 LEDs provided for output level indication.
5. High /Low switches : 4 Nos provided to apply 0 and 1 level
6. Standard Accessories : 1.User Manual with practical and circuit diagrams

In keeping view of SIGMA policy of continuous development and improvement, the Specifications may be changed without prior notice or obligation.

**Sigma Trainers**  
E-103, Jai Ambe Nagar,  
Near Udgam School, Thaltej,  
AHMEDABAD - 380054.

**Phone** : 079-26852427 / 26767512  
**Fax** : 079-26840290 / 26759661  
**ISDN** : 079-26859162 / 26853758  
**Email** : sales@sigmatrainers.com  
: sigmatrainers@sify.com  
**Web** : www.sigmatrainers.com

**Dealer:-**